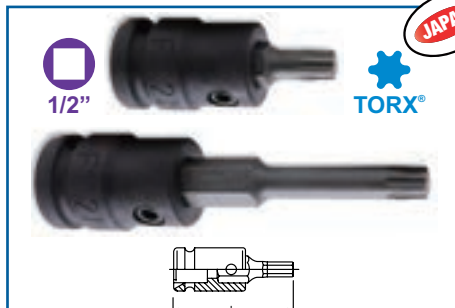


JAPAN

INSERTO CON MASCHIO TORX®

Koken articolo	TORX	L mm	
183T-35-T25	TX 25	35	1
183T-35-T30	TX 30	35	1
183T-35-T40	TX 40	35	1
183T-35-T45	TX 45	35	1
183T-35-T50	TX 50	35	1
183T-35-T55	TX 55	35	1
183T-35-T60	TX 60	35	1
183T-75-T30	TX 30	75	1
183T-75-T40	TX 40	75	1
183T-75-T45	TX 45	75	1
183T-75-T50	TX 50	75	1
183T-75-T55	TX 55	75	1
183T-75-T60	TX 60	75	1
183T-150-T30	TX 30	150	1
183T-150-T40	TX 40	150	1
183T-150-T45	TX 45	150	1
183T-150-T50	TX 50	150	1
183T-150-T55	TX 55	150	1



JAPAN

BUSSOLA MASCHIO ESAGONALE IN DUE PARTI: BUSSELLA + INSERTO MASCHIO TORX®

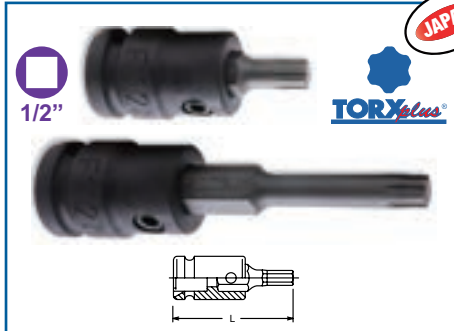
Koken articolo	TORX	L mm	
14134T-58-T25	TX 25	58	1
14134T-58-T30	TX 30	58	1
14134T-58-T40	TX 40	58	1
14134T-58-T45	TX 45	58	1
14134T-58-T50	TX 50	58	1
14134T-58-T55	TX 55	58	1
14134T-58-T60	TX 60	58	1
14134T-98-T30	TX 30	98	1
14134T-98-T40	TX 40	98	1
14134T-98-T45	TX 45	98	1
14134T-98-T50	TX 50	98	1
14134T-98-T55	TX 55	98	1
14134T-98-T60	TX 60	98	1



JAPAN

INSERTO CON MASCHIO TORX PLUS®

Koken articolo	TORX Plus	L mm	
183T-35-30IP	30IP	35	1
183T-35-40IP	40IP	35	1
183T-35-45IP	45IP	35	1
183T-35-50IP	50IP	35	1
183T-35-55IP	55IP	35	1
183T-35-60IP	60IP	35	1
183T-75-30IP	30IP	75	1
183T-75-40IP	40IP	75	1
183T-75-45IP	45IP	75	1
183T-75-50IP	50IP	75	1
183T-75-55IP	55IP	75	1
183T-75-60IP	60IP	75	1



JAPAN

BUSSOLA MASCHIO ESAGONALE IN DUE PARTI: BUSSELLA + INSERTO MASCHIO TORX PLUS®

Koken articolo	TORX Plus	L mm	
14134T-58-30IP	30IP	58	1
14134T-58-40IP	40IP	58	1
14134T-58-45IP	45IP	58	1
14134T-58-50IP	50IP	58	1
14134T-58-55IP	55IP	58	1
14134T-58-60IP	60IP	58	1
14134T-98-30IP	30IP	98	1
14134T-98-40IP	40IP	98	1
14134T-98-45IP	45IP	98	1
14134T-98-50IP	50IP	98	1
14134T-98-55IP	55IP	98	1
14134T-98-60IP	60IP	98	1



JAPAN

INSERTO CON MASCHIO XZN

Koken articolo	XZN	L mm	
183X-35-M 4	M 4	35	1
183X-35-M 5	M 5	35	1
183X-35-M 6	M 6	35	1
183X-35-M 8	M 8	35	1
183X-35-M10	M10	35	1
183X-35-M12	M12	35	1
183X-35-M14	M14	35	1
183X-75-M 4	M 4	75	1
183X-75-M 5	M 5	75	1
183X-75-M 6	M 6	75	1
183X-75-M 8	M 8	75	1
183X-75-M10	M10	75	1
183X-75-M12	M12	75	1
183X-75-M14	M14	75	1
183X-150-M 5	M 5	150	1
183X-150-M 6	M 6	150	1
183X-150-M 8	M 8	150	1
183X-150-M10	M10	150	1
183X-150-M12	M12	150	1

XZN	S mm	S mm
M 4	3,60	M12 11,50
M 5	4,80	M14 13,30
M 6	6,10	M16 15,70
M 8	7,30	M18 16,90
M10	9,70	

TORX Plus	S mm	S mm
8 IP	2,30	30 IP 5,60
9 IP	2,50	40 IP 6,70
10 IP	2,70	45 IP 7,90
15 IP	3,30	50 IP 8,90
20 IP	3,90	55 IP 11,30
25 IP	4,50	60 IP 13,30
27 IP	5,00	

MOLLE-SPINE-ANELLI