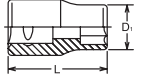


POLLICI



POLIGONALE

CHIAVI A BUSSOLA A MANO BOCCA POLIGONALE

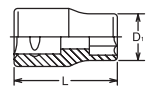


Koken articolo	pollici	D ₁ mm	L mm	
4405A-1/4	1/4"	13.2	36	1
4405A-5/16	5/16"	13.2	36	1
4405A-3/8	3/8"	14.6	37	1
4405A-7/16	7/16"	16.5	37	1
4405A-1/2	1/2"	19	37	1
4405A-9/16	9/16"	20.3	37	1
4405A-19/32	19/32"	21.5	37	1
4405A-5/8	5/8"	22.8	37	1
4405A-21/32	21/32"	24	37	1
4405A-11/16	11/16"	25	37	1
4405A-3/4	3/4"	26.5	38	1
4405A-25/32	25/32"	27.8	38	1
4405A-13/16	13/16"	29	38	1
4405A-7/8	7/8"	30	40	1
4405A-15/16	15/16"	32.8	42	1
4405A-31/32	31/32"	34	42	1
4405A-1	1"	35	42	1
4405A-1-1/16	1-1/16"	36.5	43	1
4405A-1-1/8	1-1/8"	39	43	1
4405A-1-3/16	1-3/16"	40	46	1
4405A-1-1/4	1-1/4"	42.8	46	1
4405A-1-5/16	1-5/16"	44.2	47	1
4405A-1-3/8	1-3/8"	46.2	47	1
4405A-1-7/16	1-7/16"	47.2	47	1
4405A-1-1/2	1-1/2"	49.2	47	1



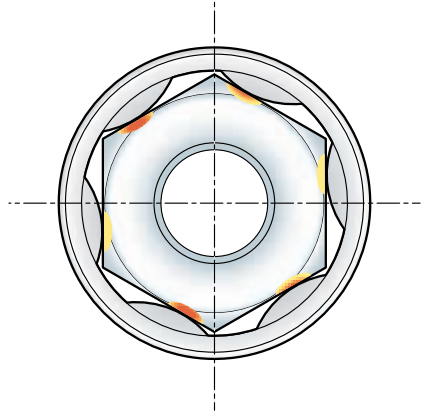
SURFACE DRIVE

CHIAVI A BUSSOLA A MANO BOCCA SURFACE DRIVE



Koken articolo	mm	D ₁ mm	L mm	
4410M-8	8	13.2	36	1
4410M-9	9	13.8	37	1
4410M-10	10	15.3	37	1
4410M-11	11	16.5	37	1
4410M-12	12	17.8	37	1
4410M-13	13	19	37	1
4410M-14	14	20.3	37	1
4410M-15	15	21.5	37	1
4410M-16	16	22.8	37	1
4410M-17	17	24	37	1
4410M-18	18	25	37	1
4410M-19	19	26.5	38	1
4410M-20	20	27.8	38	1
4410M-21	21	29	38	1
4410M-22	22	30	40	1
4410M-23	23	31.5	40	1
4410M-24	24	32.8	42	1
4410M-25	25	34	42	1
4410M-26	26	35	42	1
4410M-27	27	36.5	43	1
4410M-28	28	37.8	43	1
4410M-29	29	39	43	1
4410M-30	30	40	46	1
4410M-31	31	41.5	46	1
4410M-32	32	42.8	46	1
4410M-34	34	45.2	47	1

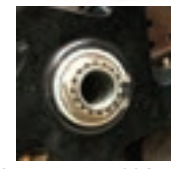
BUSSOLE SURFACE DRIVE



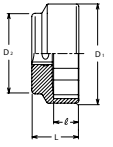
1/2"



ESAGONO



CHIAVI A BUSSOLA A MANO BOCCA ESAGONALE EXTRA CORTE PER DADO CENTRALE CATENA-RUOTA



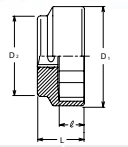
Koken articolo	mm	D ₁ mm	L mm	
4400M-DU-41	41	53	28	1
4400M-DU-46	46	59	28	1



POLIGONALE



CHIAVI A BUSSOLA A MANO BOCCA POLIGONALE EXTRA CORTE PER DADO ASSE POSTERIORE MOTO



Koken articolo	mm	D ₁ mm	L mm	
4405M-DU-36	36	47.3	28	1
4405M-DU-55	55	71	31	1



KOKEN 1/2"