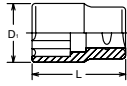




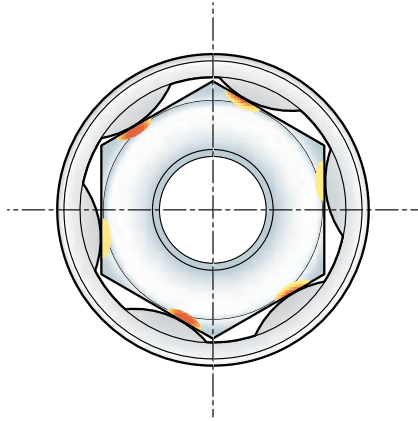
SURFACE DRIVE

CHIAVI A BUSSOLA A MANO BOCCA SURFACE DRIVE



Kokken articolo	mm	D ₁ mm	L mm	
3410M-5.5	5.5	8.9	26	1
3410M-6	6	9.9	26	1
3410M-7	7	10.8	26	1
3410M-8	8	12	26	1
3410M-9	9	13.3	26	1
3410M-10	10	14.5	26	1
3410M-11	11	15.8	26	1
3410M-12	12	16.8	26	1
3410M-13	13	18	26	1
3410M-14	14	19.5	27	1
3410M-15	15	20.8	28	1
3410M-16	16	22	28	1
3410M-17	17	23.3	29	1
3410M-18	18	24.5	30	1
3410M-19	19	25.8	30	1
3410M-20	20	27	31	1
3410M-21	21	28	32	1
3410M-22	22	29.5	32	1
3410M-23	23	30.8	33	1
3410M-24	24	32	34	1

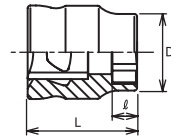
BUSSOLE SURFACE DRIVE



ESAGONO



CHIAVI A BUSSOLA BOCCA ESAGONALE EXTRA CORTE

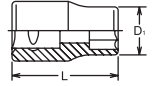


Kokken articolo	mm	D ₁ mm	L mm	
3400MZ-5.5	5.5	8.5	19	1
3400MZ-6	6	9.1	19	1
3400MZ-7	7	10.3	19	1
3400MZ-8	8	11.5	20	1
3400MZ-10	10	14	20	1
3400MZ-11	11	15.3	21	1
3400MZ-12	12	16.5	21	1
3400MZ-13	13	17.8	21	1
3400MZ-14	14	19	21	1
3400MZ-15	15	20.2	21	1
3400MZ-16	16	21.3	21	1
3400MZ-17	17	22.5	21	1
3400MZ-18	18	23.6	22	1
3400MZ-19	19	24.8	22	1
3400MZ-21	21	27	23	1
3400MZ-22	22	28.3	23	1



OTTAGONALE OTTO ANGOLI

CHIAVI A BUSSOLA A MANO BOCCA OTTAGONALE



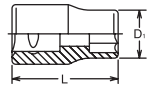
Kokken articolo	mm	D ₁ mm	L mm	
3415M-5.5	5.5	10.8	21	1
3415M-6	6	12	26	1
3415M-7	7	13.3	26	1
3415M-8	8	14.5	26	1
3415M-10	10	16.8	26	1
3415M-12	12	20.8	27	1
3415M-13	13	21.9	27	1

POLLICI



OTTAGONALE OTTO ANGOLI

CHIAVI A BUSSOLA A MANO BOCCA OTTAGONALE

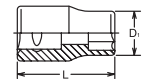


Kokken articolo	pollici	D ₁ mm	L mm	
3415A-1/4	1/4"	12	26	1
3415A-5/16	5/16"	14.5	26	1
3415A-11/32	11/32"	15.8	26	1
3415A-3/8	3/8"	16.8	26	1
3415A-7/16	7/16"	19.5	27	1
3415A-1/2	1/2"	22	27	1



TORX

CHIAVI A BUSSOLA A MANO BOCCA TORX®



Kokken articolo	mm	D ₁ mm	L mm	
3425-E 4	E 4	17.3	26	1
3425-E 5	E 5	17.3	26	1
3425-E 6	E 6	17.3	26	1
3425-E 7	E 7	17.3	26	1
3425-E 8	E 8	17.3	26	1
3425-E10	E 10	17.3	26	1
3425-E11	E 11	17.3	26	1
3425-E12	E 12	17.3	26	1
3425-E14	E 14	17.3	26	1
3425-E16	E 16	17	26	1

TORX®

	S mm	S mm	
E 4	3.70	E 16	14.60
E 5	4.60	E 18	16.50
E 6	5.60	E 20	18.30
E 7	6.10	E 22	20.10
E 8	7.40	E 24	22.00
E 10	9.30	E 26	23.70
E 11	9.90	E 28	25.50
E 12	11.00	E 30	27.30
E 14	12.80	E 32	29.00

