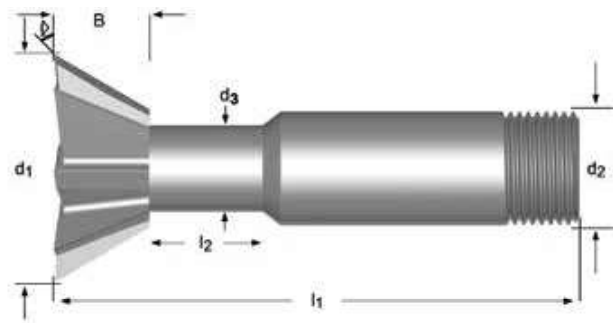


# C835

- Frese a coda di rondine
- Winkel-Schaftfräser
- Zwaluwstaartfrees
- Fraises coniques

C835	▪	1.1	1.2	1.3	1.4	2.1	3.1	3.2	3.3	3.4	4.1	5.1	6.1	6.2	6.3	7.1	7.2	7.3	
	•	1.5	1.6	2.2	2.3	4.2	4.3	5.2	5.3	6.4	7.4	8.1							

C835 HSS N Z 6-8  $\lambda 0^\circ$   $\gamma 0^\circ$  DIN 1835D



	B	d <sub>1</sub>	d <sub>1</sub>	d <sub>3</sub>	l <sub>2</sub>	l <sub>1</sub>	d <sub>2</sub>	d <sub>2</sub>	z	C835
	mm	Ø Inch	Ø mm	Ø mm	mm	mm	Ø0,-0.025 Inch	Ø0,-0.025 mm		
60°	4.0	1/2	12.70	7.15	16.5	63.5	1/2	12.70	6	C8351/2 <sup>9)</sup>
60°	4.0		13.00	7.15	16.5	63.5		12.00	6	C83513.0
60°	5.5	5/8	15.88	7.55	18.0	66.5	1/2	12.70	6	C8355/8 <sup>9)</sup>
60°	5.5		16.00	7.55	18.0	66.5		12.00	6	C83516.0
60°	7.0		19.00	8.35	17.5	67.5		12.00	6	C83519.0
60°	7.0	3/4	19.05	8.35	17.5	67.5	1/2	12.70	6	C8353/4 <sup>9)</sup>
60°	9.5		22.00	8.75	15.0	67.5		12.00	6	C83522.0
60°	9.5	7/8	22.23	8.75	15.0	67.5	1/2	12.70	6	C8357/8 <sup>9)</sup>
60°	12.0		25.00	8.75	15.0	70.0		12.00	6	C83525.0
60°	12.0	1"	25.40	8.75	15.0	70.0	1/2	12.70	6	C8351 <sup>9)</sup>
60°	12.5		28.00	11.10	15.5	73.0		16.00	6	C83528.0
60°	12.5	1.1/8	28.58	11.10	15.5	73.0	5/8	15.88	6	C8351.1/8 <sup>9)</sup>
60°	13.5		32.00	12.70	16.0	74.5		16.00	8	C83532.0
60°	13.5	1.1/4	31.75	12.70	16.0	74.5	5/8	15.88	8	C8351.1/4 <sup>9)</sup>
60°	14.5	1.3/8	34.93	12.70	16.0	82.5	1"	25.40	8	C8351.3/8 <sup>9)</sup>
60°	14.5		35.00	12.70	16.0	82.5		25.00	8	C83535.0
60°	16.0		38.00	17.45	16.0	84.0		25.00	8	C83538.0
60°	16.0	1.1/2	38.10	17.45	16.0	84.0	1"	25.40	8	C8351.1/2 <sup>9)</sup>

<sup>9)</sup> Standard - BS 122/4 / Standard - BS 122/4 / Standaard - BS 122/4 / Standard - BS 122/4