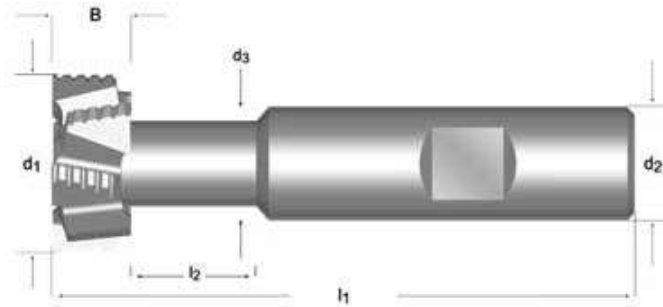


- C801**
- Frese per scanalature a T
  - T-Nutenfräser
  - Duivenstaartfrees
  - Fraises pour rainures en T

C801	1.1	1.2	1.3	1.4	1.5	1.6	2.1	2.2	2.3	3.1	3.2	3.3	3.4	4.1	4.2	4.3	5.1	5.2	5.3	6.1	
	6.2	6.3	6.4	7.1	7.2	7.3	7.4	8.1	10.1												

C801 HSS-E       



B	d <sub>1</sub> Ø	T DIN650	d <sub>3</sub> Ø	l <sub>2</sub>	l <sub>1</sub>	d <sub>2</sub> Øh <sub>6</sub>	z	C801
8.0	16.0	8	7	10	62	10	6	C80116.0X8.0
8.0	18.0	10	8	13	70	12	6	C80118.0X10.0
9.0	21.0	12	10	16	74	12	6	C80121.0X12.0
11.0	25.0	14	12	17	82	16	8	C80125.0X14.0
14.0	32.0	18	15	22	90	16	8	C80132.0X18.0