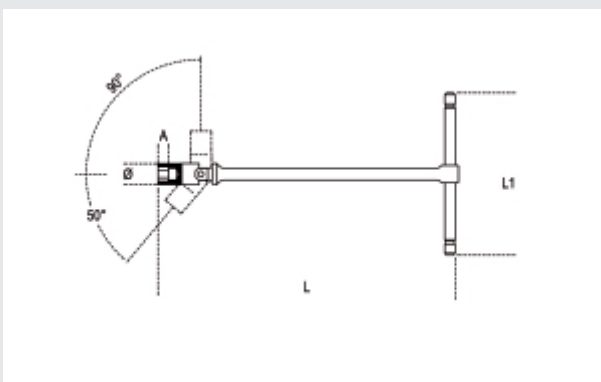




• Caratteristiche analoghe all'art. 952



art.	mm	Ø mm	A mm	L mm	L1 mm	g	
009520410	952L	10	14,6	8,0	930	160	535
009520412	952L	12	17,0	9,0	1063	175	560
009520413	952L	13	18,7	10,0	1100	175	780
009520414	952L	14	19,7	10,0	1100	175	790
009520415	952L	15	20,9	11,0	1100	200	1110
009520416	952L	16	22,0	11,0	1100	200	1110
009520417	952L	17	23,4	12,0	1100	200	1110
009520418	952L	18	24,7	12,0	1100	200	1110
009520419	952L	19	26,0	13,0	1100	230	1600