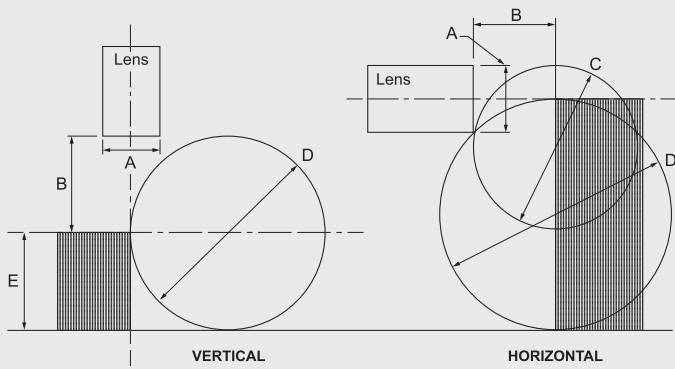


| Cod. | Mod. | A mm | B mm | C mm | D mm | E mm |
|----------|------|------|------|------|------|------|
| LA04110 | x10 | 60 | 135 | 343 | 343 | 150 |
| LA04120 | x20 | 30 | 132 | | | |
| LA04125 | x25 | 24 | 106 | | | |
| LA04150 | x50 | 12 | 93 | | | |
| LA041100 | x100 | 6 | 50 | 195 | 235 | |



- A: Campo visivo / Campo visual
- B: Distanza di lavoro / Distancia de trabajo
- C: Campo massimo / Campo máximo
- D: Mezzo campo / Medio campo
- E: Max altezza pezzo / Altura máx. pieza

Ottiche intercambiabili.

Obiettivo composto da un pacco di più lenti per una perfetta collimazione dei raggi luminosi al fine di ottenere la massima precisione nelle misure.

Ópticas intercambiables.

Objetivo compuesto por un paquete con más lentes para la colimación perfecta de los rayos luminosos, con el objetivo de conseguir la máxima precisión en las mediciones.



Report Viewer

Baty International
www.baty.co.uk

| | |
|------------|--------|
| Drawing No | WDG34 |
| Title | Roller |
| Customer | Baty |

Identifier

- 42.8mm between Line and...
- 11.2mm between Line and...
- 12.7mm between Line and...
- 9.5mm between Line and Li...
- 12.7mm between Line and...
- 9.5mm between Line and Li...
- 35.7mm between Line and...
- 17.9mm between Point and...

X: -5.392mm
Y: -25.749mm
360.00°

Report Viewer

Baty International
Unit 1 Sovereign Centre
45 Victoria Road
Burgess Hill
West Sussex

BOWERS GROUP

| | | | | | |
|------------|---------------|--------------|--------------|-----------|----------------------|
| Drawing No | 123456 | Order No | QW12345 | Date | 10/11/2016 13:43 |
| Title | Turbo Shaft | Serial No | Turbo12345 | Inspector | Patrick |
| Customer | Turbo's R Us. | Material Ref | Steel HRC 60 | Notes | Room Temperature 18C |

Identifier: 1mm Between Line and Line

| | |
|-------------|--------|
| Nominal | 1.000 |
| Upper Limit | 1.100 |
| Lower Limit | 0.900 |
| Maximum | 0.981 |
| Minimum | 0.977 |
| Mean +3σ | 0.984 |
| Mean | 0.979 |
| Mean -3σ | 0.974 |
| CPK Upper | 25.892 |
| CPK Lower | 16.913 |
| Mean Shift | 0.021 |

Distribution

Data Points

| | |
|-----------|-------|
| Component | Value |
| 1 | 0.981 |
| 2 | 0.979 |
| 3 | 0.977 |