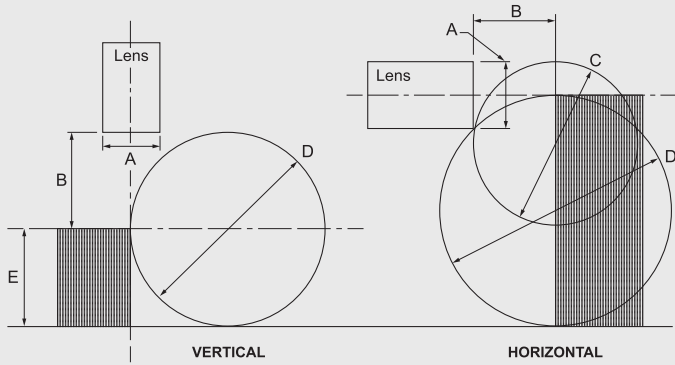


Cod.	Mod.	A Ø mm	B mm	C mm	D mm	E mm
LA02510	x10	35	81	120	103	103
LA02520	x20	18	38	109		
LA02525	x25	14	24	56	80	80
LA02550	x50	7	15	31	45	45
LA025100	x100	4	31	77	96	96



- A: Campo visivo / Campo visual
- B: Distanza di lavoro / Distancia de trabajo
- C: Campo massimo / Campo máximo
- D: Mezzo campo / Medio campo
- E: Max altezza pezzo / Altura máx. pieza

**Ottiche intercambiabili.**

Obiettivo composto da un pacco di più lenti per una perfetta collimazione dei raggi luminosi al fine di ottenere la massima precisione nelle misure.

**Ópticas intercambiables.**

Objetivo compuesto por un paquete con más lentes para la colimación perfecta de los rayos luminosos, con el objetivo de conseguir la máxima precisión en las mediciones.



The screenshot shows the Baty Report Viewer software interface. On the left, there is a sidebar with the Baty International logo and website address. The main area displays a technical drawing of a roller with various measurement points. A list of measurements is shown on the left side of the drawing, including distances between lines and points. The software also displays a circular diagram with a 360.00° angle and a coordinate system with X and Y values.

The screenshot shows the statistical analysis section of the Baty Report Viewer. It displays a distribution graph for the measurement '1mm Between Line and Line'. The graph shows a normal distribution curve with a mean of 0.979 and a standard deviation of 0.002. The data points are listed in a table below the graph.

Component	Value
1	0.981
2	0.979
3	0.977